

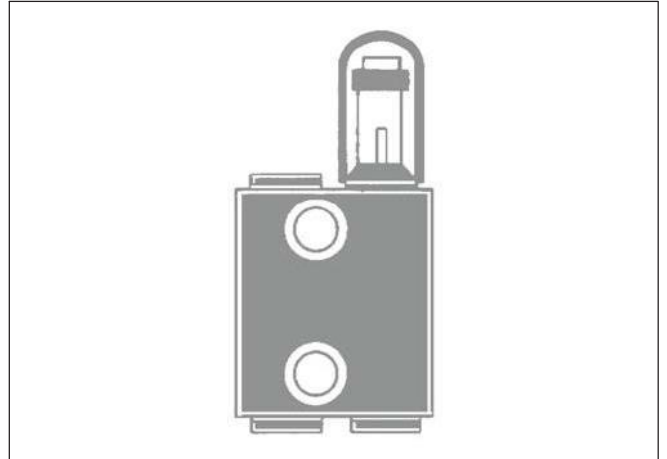
Product description
Distributor ZV-C

APPLICATION

The distributors ZV-C are used for dual-line central lubrication systems for grease and for oil. Their function is to meter the lubricant and to press it through the lines to the lubrication points independently of back pressure.

PRODUCT CHARACTERISTICS

- Dual-line manifold block type C
- Grease and oil
- up to 4 outlets
- Metered volume continuously adjustable from 2.5 to 15 cm³
- Material: continuous casting



DESIGN

The distributors ZV-C are block type designed, and constructed in different metering volumes. Each distributor has two threaded holes G 3/8 on each of its two faces for the optional connection of the two main lines. For the connection of the friction point lines, the distributor has two to four threaded holes G 1/4.

The distributor does not have springs and works hydraulically, operated by the lubricant.

FUNCTION

The distributor ZV-C has one metering piston and one control piston for every two lubrication points, connected. Depending on either main line no. I or main line no. II is pressurized, where the second main line must be relieved of pressure, only that lubrication point will be served which is associated with the main line concerned. As a result, an operating cycle always includes two lubricating strokes.



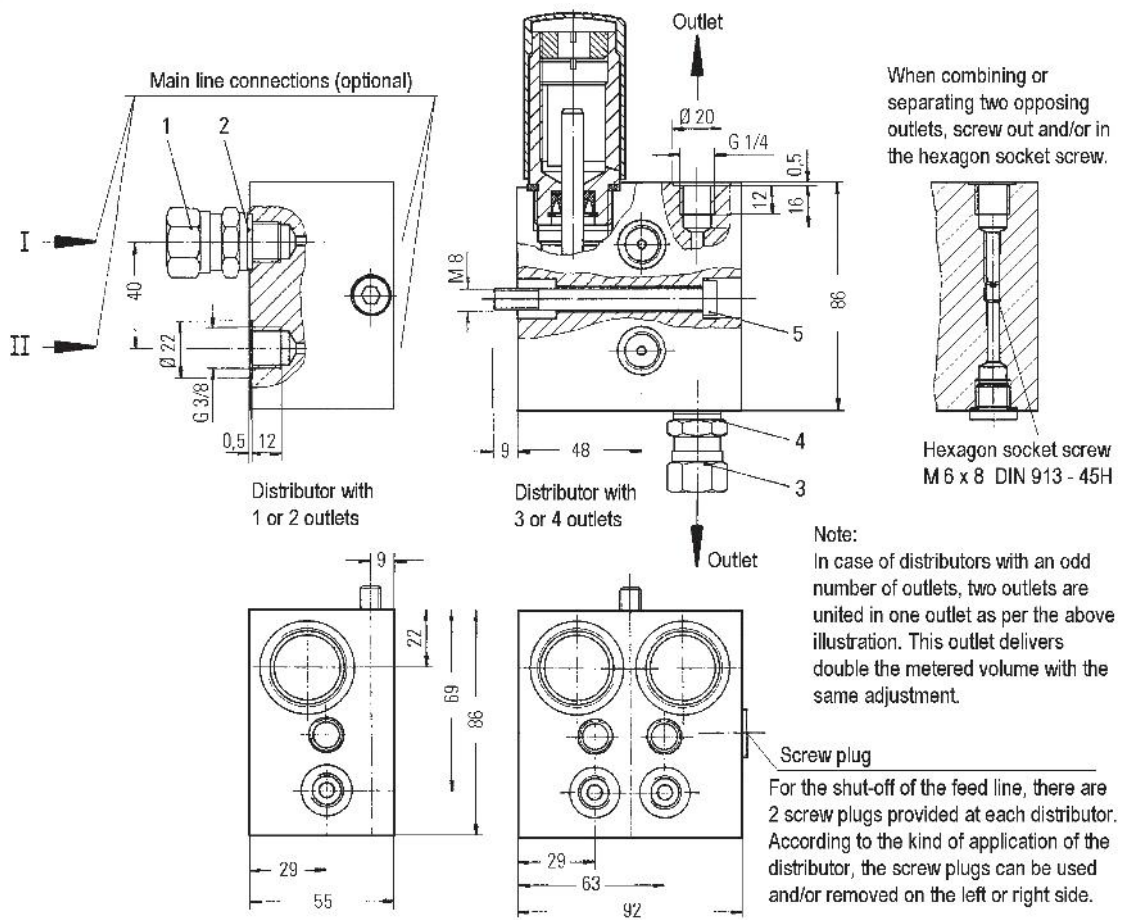
A. DISTRIBUTOR TYPE	Code
----------------------------	-------------

ZVC

B. NUMBER OF OUTLETS	Code
-----------------------------	-------------

- 1 outlet
- 2 outlets
- 3 outlets
- 4 outlets

- 01
- 02
- 03
- 04



C. REVISION	Code
--------------------	-------------

Status A

A

D. METERED VOLUME	Code
--------------------------	-------------

15 cm³

15



SPECIFICATION

Working pressure max. : _____ 400 bar
 Actuating pressure min.: _____ 10 bar
 Metered volume : _____ continuously adjustable from 2.5 to 15 cm³
 Actuating volume : _____ 0.3 cm³
 Number of outlets : _____ 1 up to 4
 Temperature range : _____ - 20 °C up to + 80 °C
 Suitable lubricants on mineral oil basis:
 Grease lubricants _____ NLGI class 3 DIN 51818
 Oil _____ ISO VG 68 to 1500 (DIN 51519) as service viscosity 190 mm²s
 Synthetic lubricants : _____ on request

ATTENTION

Pressurization of the distributors with more than 400 bar means danger to life and limb of persons.

EXAMPLE OF ORDER

		Code							
		Z	V	C	0	3	A	1	5
Distributor type ZV-C	Code: ZVC	_____	_____	_____	_____	_____	_____	_____	_____
Number of outlets 3 outlets	Code: 03	_____	_____	_____	_____	_____	_____	_____	_____
Revision Status A	Code: A	_____	_____	_____	_____	_____	_____	_____	_____
Metered volume 15 cm ³	Code: 15	_____	_____	_____	_____	_____	_____	_____	_____



DELIMON

Headquarter

Arminstraße 15
D-40227 Düsseldorf
PO Box 10 20 52
D-40011 Düsseldorf
Phone: +49 211 7774 0
Fax: +49 211 7774 210
info@delimon.de
www.delimon.de

DELIMON

Office & Plant Beierfeld

Am Bockwald 4
D-08344 Grünhain-Beierfeld

DELIMON

Office Austria

Am Spitz 2-3 / Schloßhofer Str. 4-6
Stiege 4, Top 20
A-1210 Vienna
Phone: +43 1 585 66 17
Fax: +43 1 585 66 17 50
info@delimon.at
www.delimon.at

LUBRIMONSA

Spain

Avda. Txori-Erri 38
48150 Sondica - (Vizcaya)
Teléfono: +34 94 453 20 00
Fax: +34 94 453 25 00
sales@lubrimonsa.es

DELIMON-Denco Lubrication

DELIMON-Cooling

United Kingdom

Ramsden Court, Ramsden Road
Rotherwas Industrial Estate
Hereford, HR2 6LR
Phone: +44 (0) 1432 365 000
Fax: +44 (0) 1432 365 001
info@delimon.co.uk
www.delimon.co.uk

BIJUR Products, Inc.

France

BP 50
ZI de Courtabœuf
5, Avenue de l'Atlantique
91942 Les Ulis Cedex
Tél.: +33 1 692 985 85
Fax: +33 1 690 776 27
bijur@bijur.fr

*Für reibungslose Bewegung
For smooth motion*

